

AMC™

X88

8 Zone Control Center

with Ethernet

8 Sources (2 Audio & 6 AV) to 8 Zones Control Center

Each AV Source with Buffered Loop Outputs for cascade applications

Each AV Source with two IR outputs for controlling Sources connected to the system

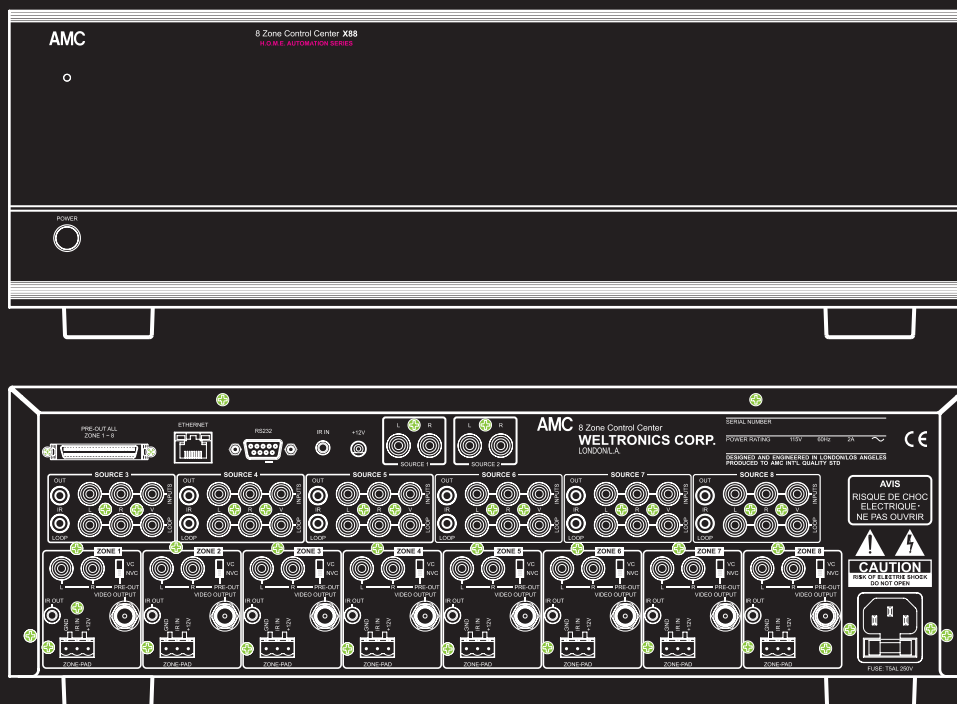
Designed for Each Zone with AV Outputs and IR Input with power supply

Designed for Audio Outputs of Each Zone with switch to select with Volume Control or without

Designed with Ethernet interface in order to link X88 to Ethernet System

Designed with Volume Control & Tone Control for each Zone

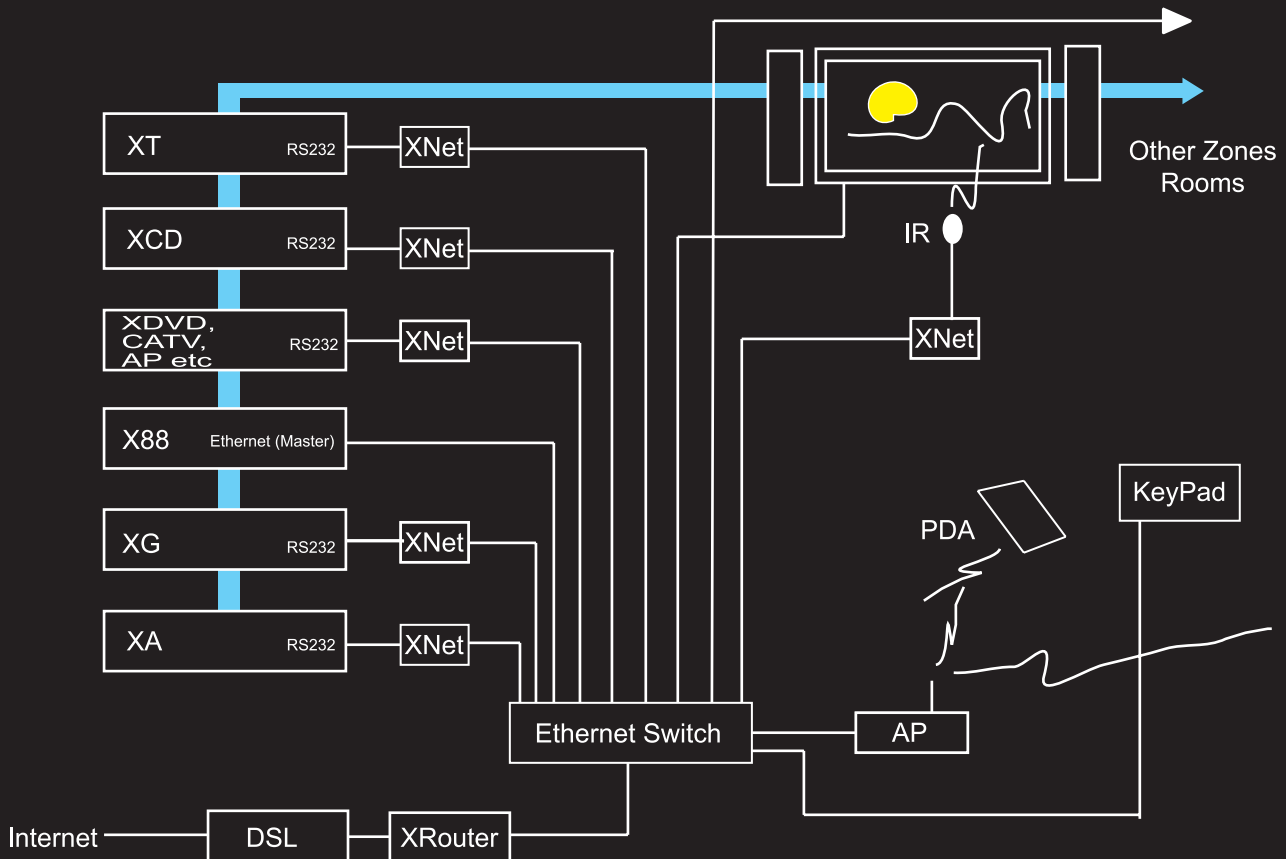
Designed with two pre-outs one with VC or NVC control switch for each zone. another always with VC



AMC™ X88 8 Zone Control Center

ZIZC© (Zero-Installation/ Zero Configuration)

X88 will have **ZIZC©** feature through Ethernet Connector
 on X88 Rear Panel Users can use any PDA, Palm,
 Keypad that has Web browser feature to link into X88 and control it under webpage mode
 X88 will be controlled under webpage mode and it is **ZIZC©**
 Password can be set up for link into X88 for security reasons
 The **ZIZC©** feature is a standard feature for AMC X Series
 AMC unit with **ZIZC©** feature has its own IP address and web page with
 GUI for users to control the unit
 AMC units with Ethernet Connector like X88 has **ZIZC©** feature with the Ethernet Connector
 AMC units with RS232 only will go with Xnet to hook up to Ethernet for **ZIZC©** feature



Remarks: X88 has been designed as Master of the Ethernet network. So, the system can be without XServer
 XServer is designed as server of web pages and audio, video.

For Video monitor without Ethernet input but only with RS232 control port, extra XNet has to be used.